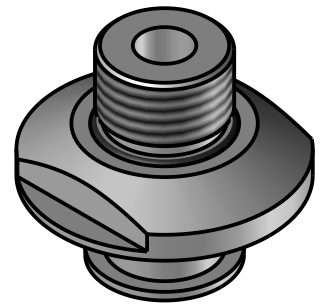
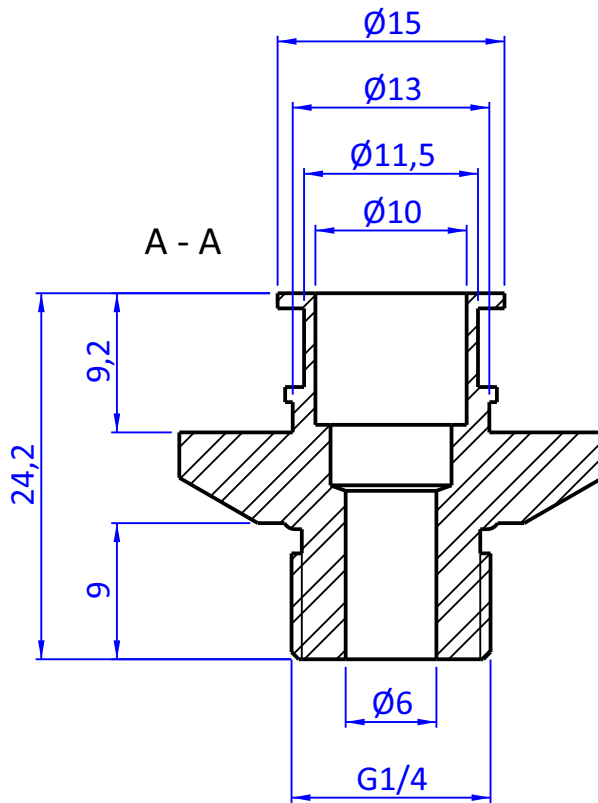
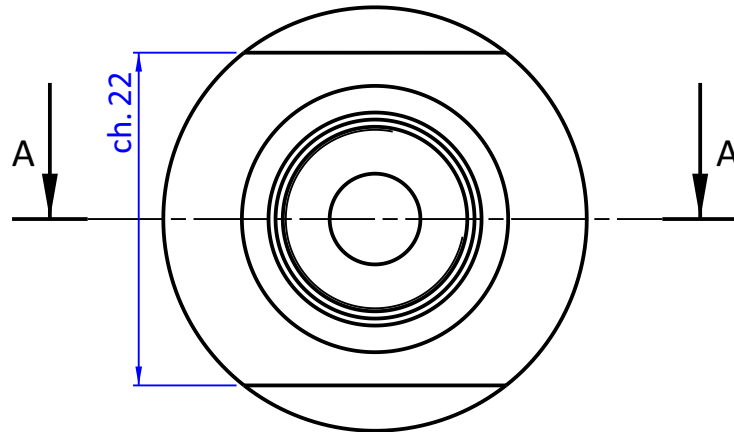


THE PROPERTY OF THE DRAWING IS ESTABLISHED BY LAW. IT IS FORBIDDEN TO PRODUCE OR SHOW IT TO THIRD PART. WITHOUT A WRITTEN AGREEMENT.



| | | | | | |
|-------------------------|---|-----------------------------|---------------------------------|-------------------|-------------|
| Format A4 UNI 936-76 | GENERAL TOLERANCE UNI - ISO 2768 CLASSE f | DESCRIPTION CA.08.09.035 | DESIGNED FROM FPS Automation | | REVIEW A |
| | | | DATE 02/09/2022 | WEIGHT 0,011kg | |
| | | | CODE CA.08.09.035 | | |